

LAFORTE[®] 200

Industrial Digital
Textile Print solutions

MADE IN ITALY



aleph[®] 20 YEARS
1999-2019
in printing, we care

Our difference

Why choose LaForte?

Premium built

Quality materials with outstanding performance mechanics

Dual module heads

- Dual channel: 2 colors per head
- Excellent speed & precise jetting
- Significantly reduced maintenance cost due to less number of heads

Integrated printing solutions

Software + hardware + ink + media

International team of experts

Our team listens and understands your needs offering cost effective consultancy and solutions

Our printing results

What are the LaForte advantages?

High definition printing

- Maximum resolution of 1200 DPI
- Variable drop technology
- Dynamic stitching technology for HQ multi pass printing

Accurate printing: quality and precision

- Simplify head alignment for maximum precision
- Individual head adjustments: slant and stagger
- Precise belt feeding movement
- Feed accuracy less than 20 microns

Consistant printing results

- Advanced control software accentuates the clearness of the output, reducing the dithering effect
- Advanced matrix dot layout guarantees an exceptional yield



2018 – EDP awards:
Textile Printer
on transfer paper



2018 – Future textile awards:
Best Innovation
Home Textiles

Our mechanics makes the difference

How does it work?

Boundless variety of applications

Print on a wide selection of fabrics with optimal results: polyester, cotton, viscose, silk, lycra, wool, canvas and much more.

Solid aluminum frame

Eliminates vibration, guaranteeing a stable print and a long life with no rust

Heavy-duty carriage

- Laser cut heads stage
- External electronics
- Optical fiber cable

Stable ink sub-tank

- System for negative pressure control
- Separate ink pressure per single channel
- Pressure sensor for auto-correcting pressure stability
- External sensor for determining ink level

Reliable & precise motion

- Manually assembled in house
- Magnetic linear motor and double rail for carriage stability
- Aluminum bridge 0.02 mm torsion/deflection
- 300 kg bridge weight
- Head crash safety plates

Anti mist aspiration system

- No contamination on printer
- Healthier environment for the operator

Feeding & auto switch ink system

- Eliminates downtime for manual ink change: auto ink switch when empty
- 10 kg per color
- No ink is wasted
- Rapid connector - Easy to operate

Practical washing unit

- Detachable washing unit
- Easy to clean for less downtime
- Spiral Brush to prevent dirt accumulation
- Triple squeegees

Touch panel

- User friendly interface
- Print queue manager
- IoT Maintenance Section
- Remote assistance

Front dryer & take up

- Micro weave ceramic lamp for low energy consumption
- Compact
- Huge reduction on exhaust smoke
- Continuous tension and roll alignment

Printing technology
Variable drop inkjet from 4pl to 72pl
(2.656 nozzles - 2 colors)

Ink tank capacity
5 / 10 / 20 kg/lt

Compressed air consumption
6-8 bar - 250 L/min

Interface
Ethernet 10 GB

Necessary operating conditions
Temperature 18 °C-25 °C (65 °F-77 °F)
Humidity 45-60%

Water consumption
w20-50 L/h

Media feeding mechanism
Rotary sticky belt system

DST
Dynamic stitching technology

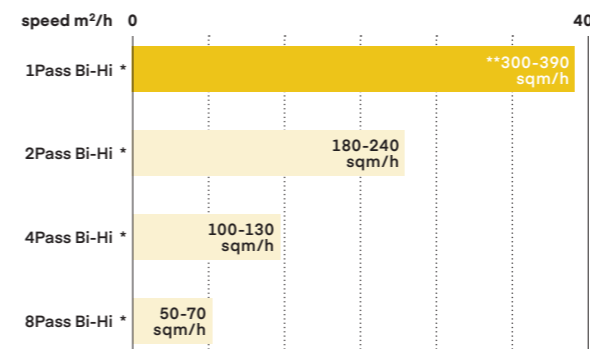
DPI
300 / 600 / 900 / 1200

Media
Fabrics

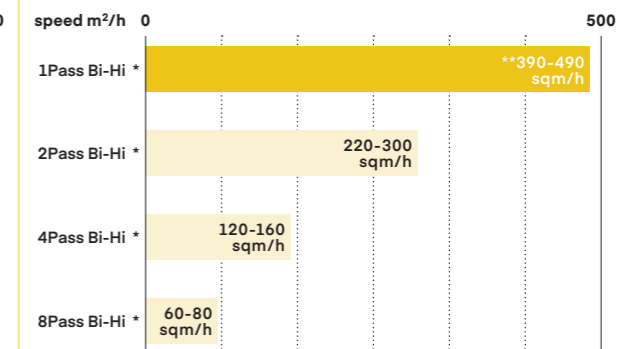
Ink
Reactive, acid, pigment,
direct sublimation, direct disperse

Number of colors
4 / 6 / 8

print width 1800 mm



print width 3400 mm



4-color

2xCMYK
8 Print Heads - 2 lines
4 colors / 8 heads / 2 lines

8-color

8 colors / 8 heads / 2 lines

** 1 Pass mode: available only for dual channel per color.
* Print speed may vary depending to the substrate, the quality required and the print width selected.

Printer model and specs



POWER SETTINGS
16 kVA / 3 phases+neutral /
380-420V ±10% / 16A

DIMENSIONS
4680x2100xh 2400 mm

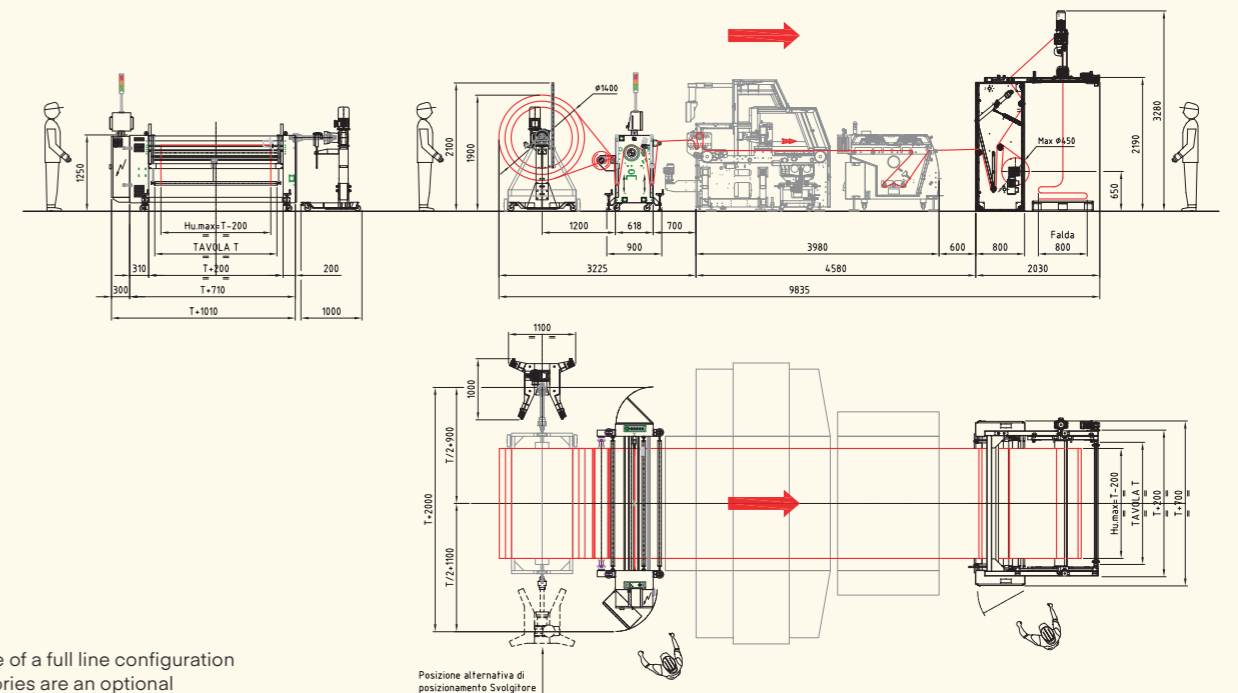
WEIGHT
2.700 kg



POWER SETTINGS
19 kVA / 3 phases+neutral /
380-420V ±10% / 16A

DIMENSIONS
6180x2100xh 2400 mm

WEIGHT
4.400 kg



- Example of a full line configuration
- Accessories are an optional
- Configuration available for all models

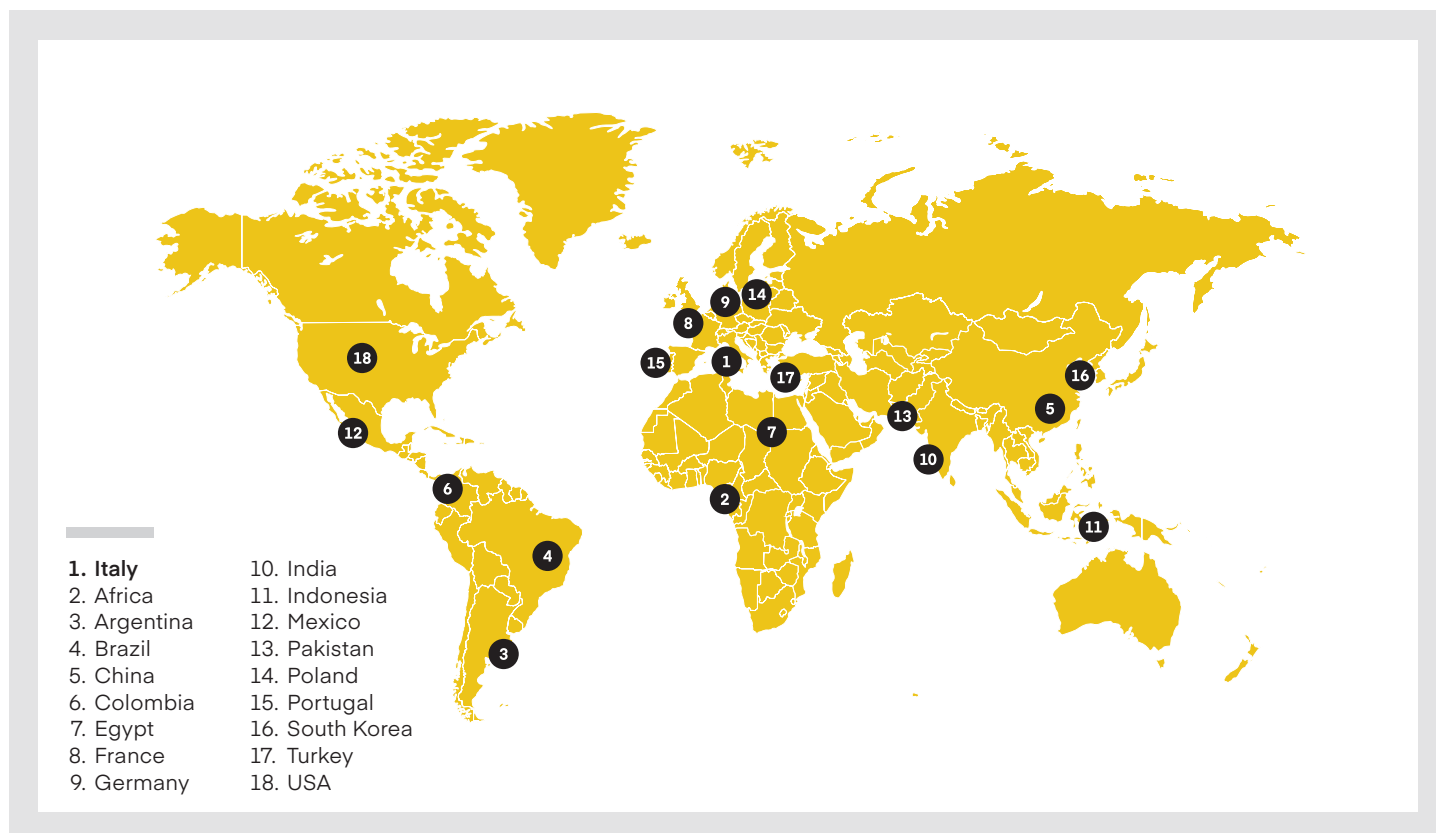
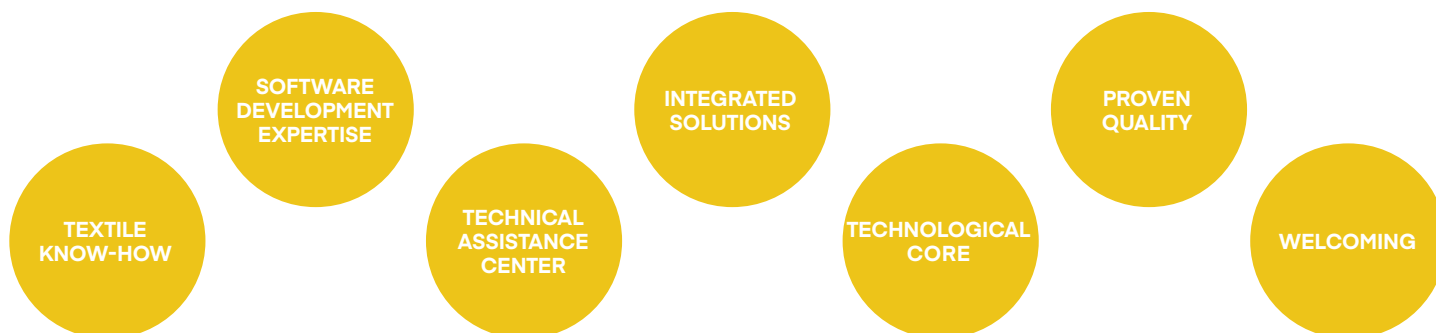
Aleph

In printing, we care

Founded in 1999 in Como, in the heart of Italian textiles district, Aleph has become an **international player in digital printing solutions with a dedicated sales force and a distribution network** located in key textile markets. Aleph's **extensive know-how in high quality proprietary printing software and the experience gained with major textile companies**, have allowed the company to become a manufacturer of **technologically advanced inkjet**

digital printers. From high-tech digital printers to drying systems, from proprietary software to consumables, **Aleph is able to offer integrated printing solutions to their clients in order to become a partner for their success**. Thanks to its **customer-centered approach, cost-effective solutions and the expert service**, Aleph aims to ensure the clients the maximum return on their investments.

Our values



Our office

Aleph Srl

Via Giotto, 26
22075 Lurate Caccivio (CO) - Italy
T. +39 031 575902
F. +39 031 3385098

www.alephteam.com
info@alephteam.com

